

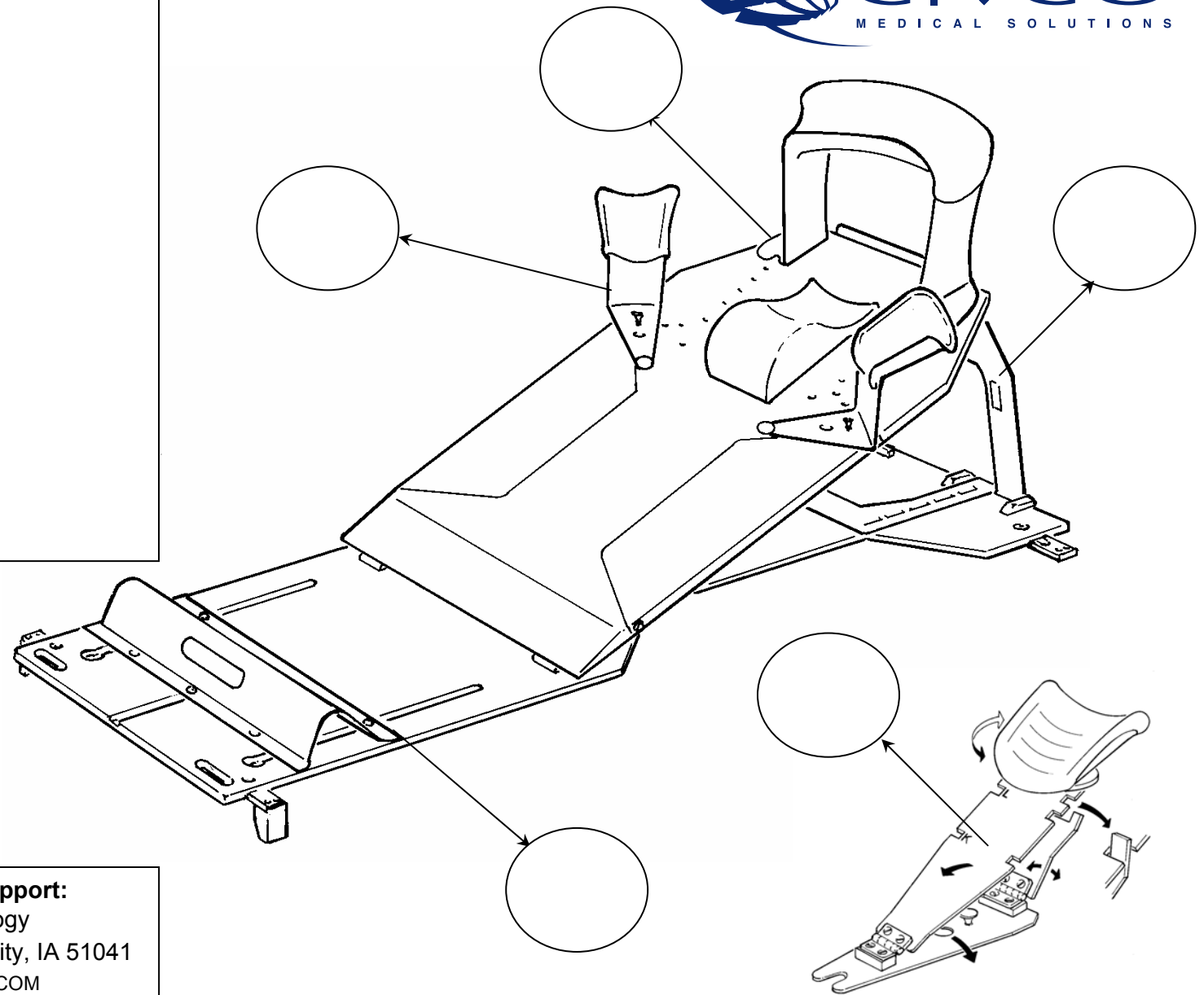
# SET-UP SHEET

## Posiboard™ -2

Patient:

Date:

Notes:



### Contact information for questions and support:

CIVCO Medical Solutions - Radiation Oncology  
1401 8th Street SE, PO Box 320 • Orange City, IA 51041  
800.842.8688 • 712.737.8688 • WWW.CIVCO.COM