

Set-up Sheet - Shoulder Retractor,

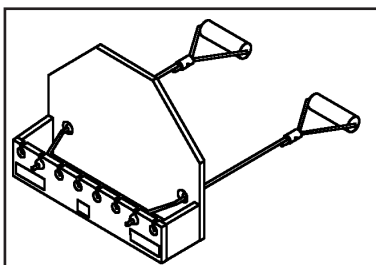
MT-SR-01, MT-SR-02 or MT-NW-197-581

Patient: _____

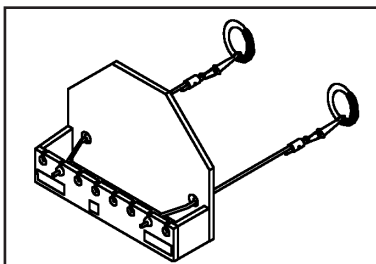
Date: _____

Notes: _____

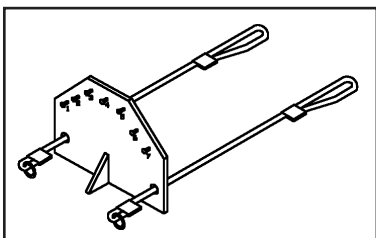
1. Shoulder Retractor Type (circle one)



MT-SR-01 - Shoulder Retractor with Bar Hand Grips



MT-SR-02 - Shoulder Retractor with Sherpa Loops

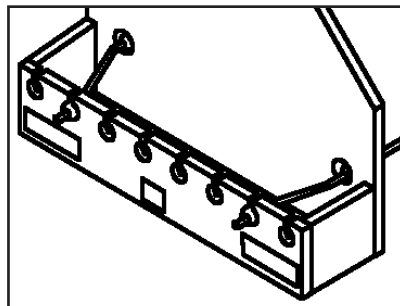


MT-NW-197-581

2. Placement Ball Used - MT-SR-01 and -02 only
(circle one for each arm)

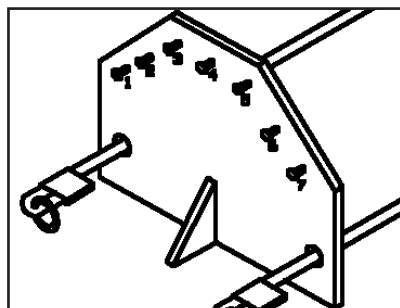
Right Arm:	White	Blue
Left Arm:	White	Blue

3. Placement Ball Location - MT-SR-01 and -02 only
(circle one for each arm)



Left	Right
A	A
B	B
C	C
D	D
E	E
F	F
G	G
H	H

4. Retractor Settings - MT-NW-197-581 only
(circle one for each arm)



Left	Right
1	1
2	2
3	3
4	4
5	5
6	6
7	7

